

## FC3610 Fuse Clip Holder For $\phi 3.6 \times 10 \text{mm}$ Fuse 用于 $\phi 3.6 \times 10 \text{mm}$ 保险丝的 FC3610 保险丝夹座



### ❖描述 Description

Fuse Clip is for fuse mount, including current fuse clip and auto fuse holder, technology is nickel plating, tin plating and silver plating. Current fuse clip based on fuse size 3.6x10mm, 5x20mm, 6x30mm, 10x38mm; Auto fuse clip based on blade fuse size mini fuse clip, medium fuse clip, maxi fuse clip, usually used in PCB and convenient to change fuse after fuse blown. Fuse selection based on fuse size and fuse current, space left for fuse clip in PCB.



### ❖主要特性 Main Features

Thickness 0.4mm  
Soldering temp  $260 \pm 5^\circ \text{C}$   
Load voltage 250V  
Load current 10A  
Small size  
Good spring  
Good hardness  
Nice Conductivity  
Durable  
Easily changing fuse  
Easily mount fuse  
Unit weight 0.2g  
Suitable fuse  $3.6 \times 10 \text{mm}$   $4 \times 11 \text{mm}$

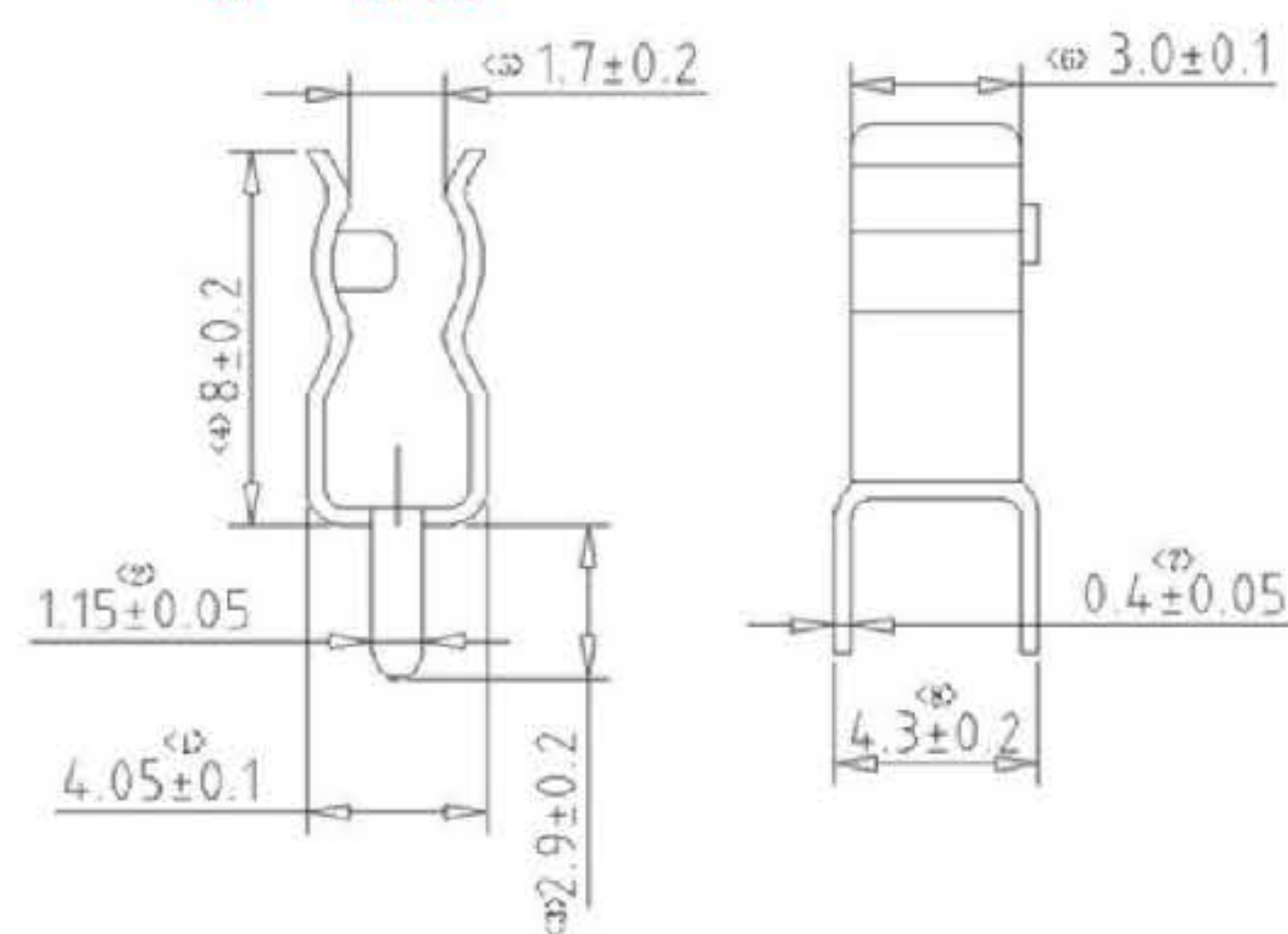
### ❖材质 Material

FC3610 Fuse clip made of brass, tinned or nickel plated, not easy to rust, wear and corrosion resistance, complaint with RoHS.

### ❖应用范围 Application

FC3610 fuse clip suitable for  $3.6 \times 10 \text{mm}$  cartridge fuse, mainly used for PCB of home appliances, PC, Remote control, automotive applications etc.

### ❖尺寸 Dimension (Unit:mm)



Note: Customized is available and contact our sales for further offer.

Version:V1 Date:2020/5/22



## FC520 Fuse Clip Holder For $\phi 3.6 \times 10 \text{mm}$ Fuse 用于 $\phi 5 \times 20 \text{mm}$ 保险丝的 FC520 保险丝夹座



### ❖描述 Description

Fuse Clip is for fuse mount, including current fuse clip and auto fuse holder, technology is nickel plating, tin plating and silver plating. Current fuse clip based on fuse size 3.6x10mm, 5x20mm, 6x30mm, 10x38mm; Auto fuse clip based on blade fuse size mini fuse clip, medium fuse clip, maxi fuse clip, usually used in PCB and convenient to change fuse after fuse blown. Fuse selection based on fuse size and fuse current, space left for fuse clip in PCB.



### ❖主要特性 Main Features

Thickness 0.3mm/0.4mm/0.5mm  
Soldering temp  $260 \pm 5^\circ\text{C}$   
Load voltage 250V  
Load current 10A  
Small size  
Good spring  
Good hardness  
Nice Conductivity  
Durable  
Easily changing fuse  
Easily mount fuse  
Unit weight 0.43g  
Suitable fuse 5x20mm, 5.2x20mm

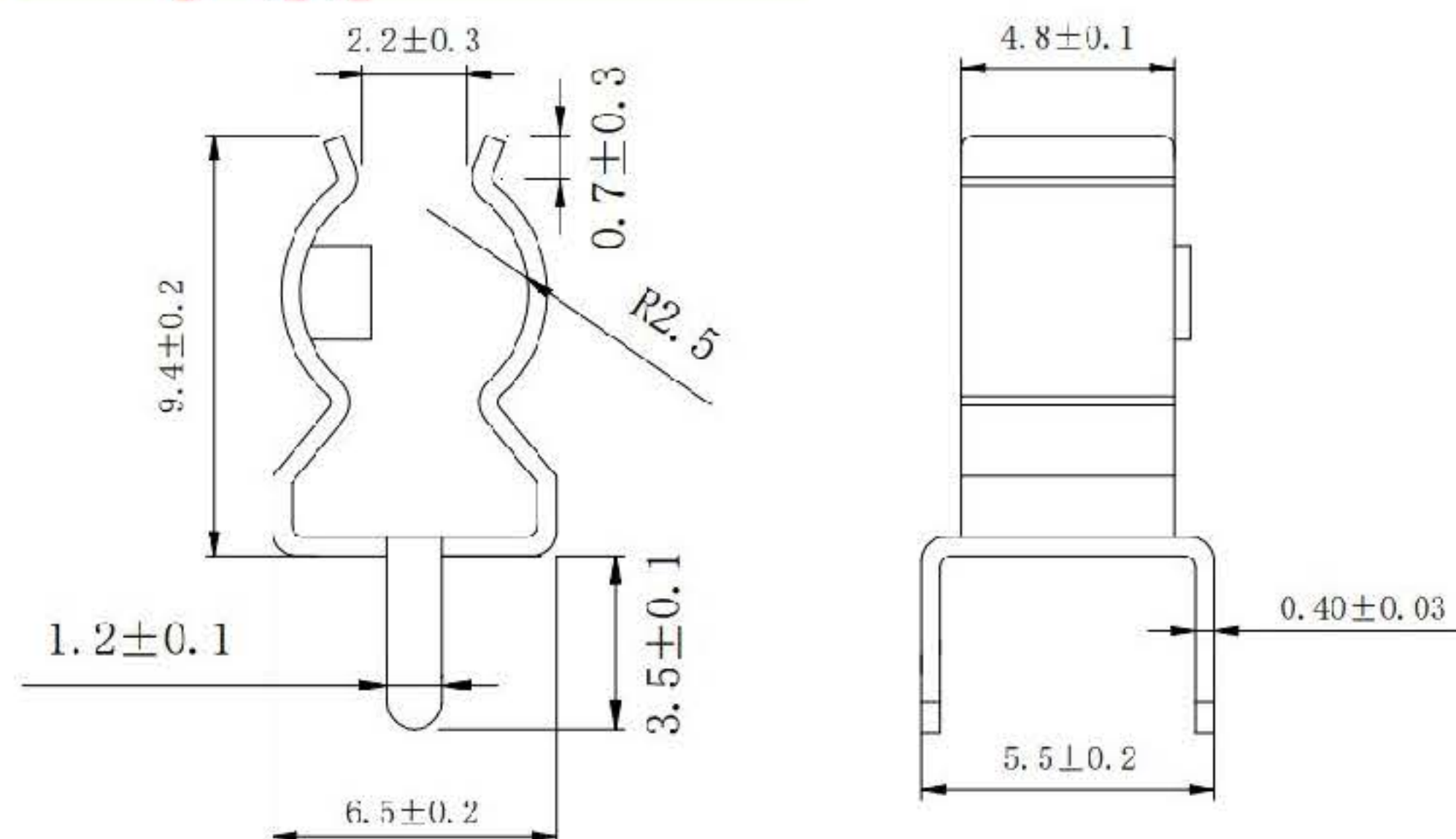
### ❖材质 Material

FC520 Fuse clip made of brass, tinned or nickel plated, not easy to rust, wear and corrosion resistance, compliant with RoHS.

### ❖应用范围 Application

FC520 fuse clip suitable for 5x20mm cartridge fuse, mainly used for PCB of home appliances, PC, Remote control, automotive applications etc.

### ❖尺寸 Dimension (Unit:mm)



Note: Customized is available and contact our sales for further offer.

Version:V1 Date:2020/5/22



## FC630 Fuse Clip Holder For $\phi 6 \times 30$ mm Fuse 用于 $\phi 6 \times 30$ mm 保险丝的 FC630 保险丝夹座



### ❖描述 Description

Fuse Clip is for fuse mount, including current fuse clip and fuse holder, technology is nickel plating, tin plating and silver plating. Current fuse clip based on fuse size 3.6x10mm, 5x6x30mm, 10x38mm; Auto fuse clip based on blade fuse size mini fuse clip, medium fuse clip, maxi fuse clip, usually used in PCB and convenient to change fuse after fuse blown. Fuse selection based on fuse size and fuse current, space for fuse clip in PCB.



### ❖主要特性 Main Features

Thickness 0.5mm  
Soldering temp  $260 \pm 5^\circ\text{C}$   
Load voltage 250V  
Load current 15A  
Small size  
Good spring  
Good hardness  
Nice Conductivity  
Durable  
Easily changing fuse  
Easily mount fuse  
Unit weight 0.86g  
Suitable fuse 6.32x32mm 6x30mm

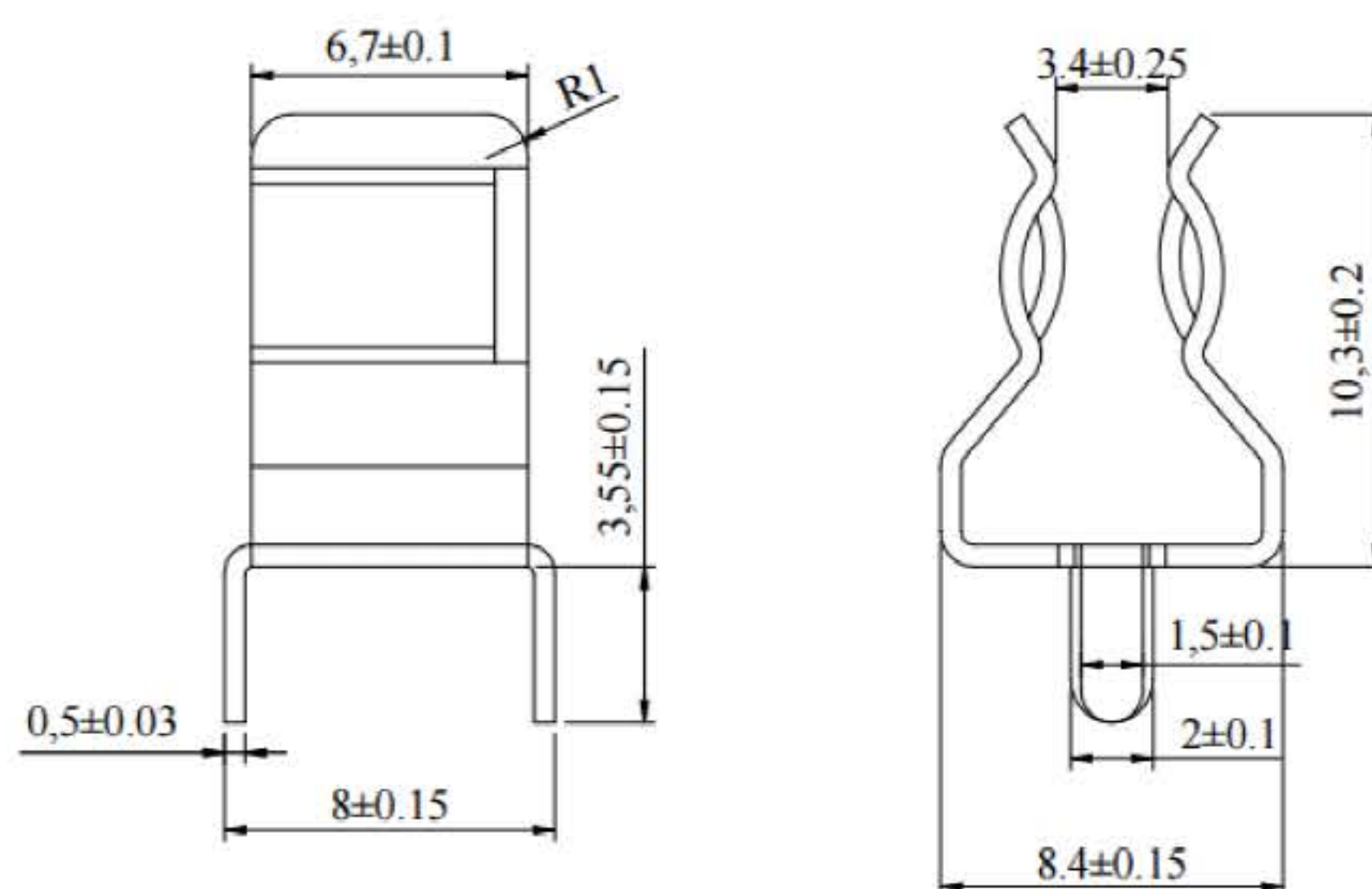
### ❖材质 Material

FC630 Fuse clip made of brass, tinned or nickel plated, not easy to rust, wear and corrosion resistance, compliant with RoHS.

### ❖应用范围 Application

FC630 fuse clip suitable for 6x30mm cartridge fuse, mainly used for PCB of home appliances, PC, Remote control, automotive applications etc.

### ❖尺寸 Dimension (Unit:mm)



Note: Customized is available and contact our sales for further offer.

Version:V1 Date:2020/5/22



## FC1038 Fuse Clip Holder For $\phi 10 \times 38 \text{mm}$ gPV Photovoltaic Fuse 用于 $\phi 10 \times 38 \text{mm}$ gPV 光伏保险丝的 FC1038 保险丝夹座



### ❖描述 Description

Fuse Clip is for fuse mount, including current fuse clip and fuse holder, technology is nickel plating, tin plating and silver plating. Current fuse clip based on fuse size 3.6x10mm, 5x26x30mm, 10x38mm; Auto fuse clip based on blade fuse size mini fuse clip, medium fuse clip, maxi fuse clip, usually used in PCB and convenient to change fuse after fuse blown.

Fuse selection based on fuse size and fuse current, space left for fuse clip in PCB.



### ❖主要特性 Main Features

Thickness 0.8mm  
Soldering temp  $260 \pm 5 \text{C}^\circ$   
Load voltage 250V  
Load current 30A  
Small size  
Good spring  
Good hardness  
Nice Conductivity  
Durable  
Easily changing fuse  
Easily mount fuse  
Unit weight 3g  
Suitable fuse  $10 \times 38 \text{mm}$   $10.3 \times 38 \text{mm}$

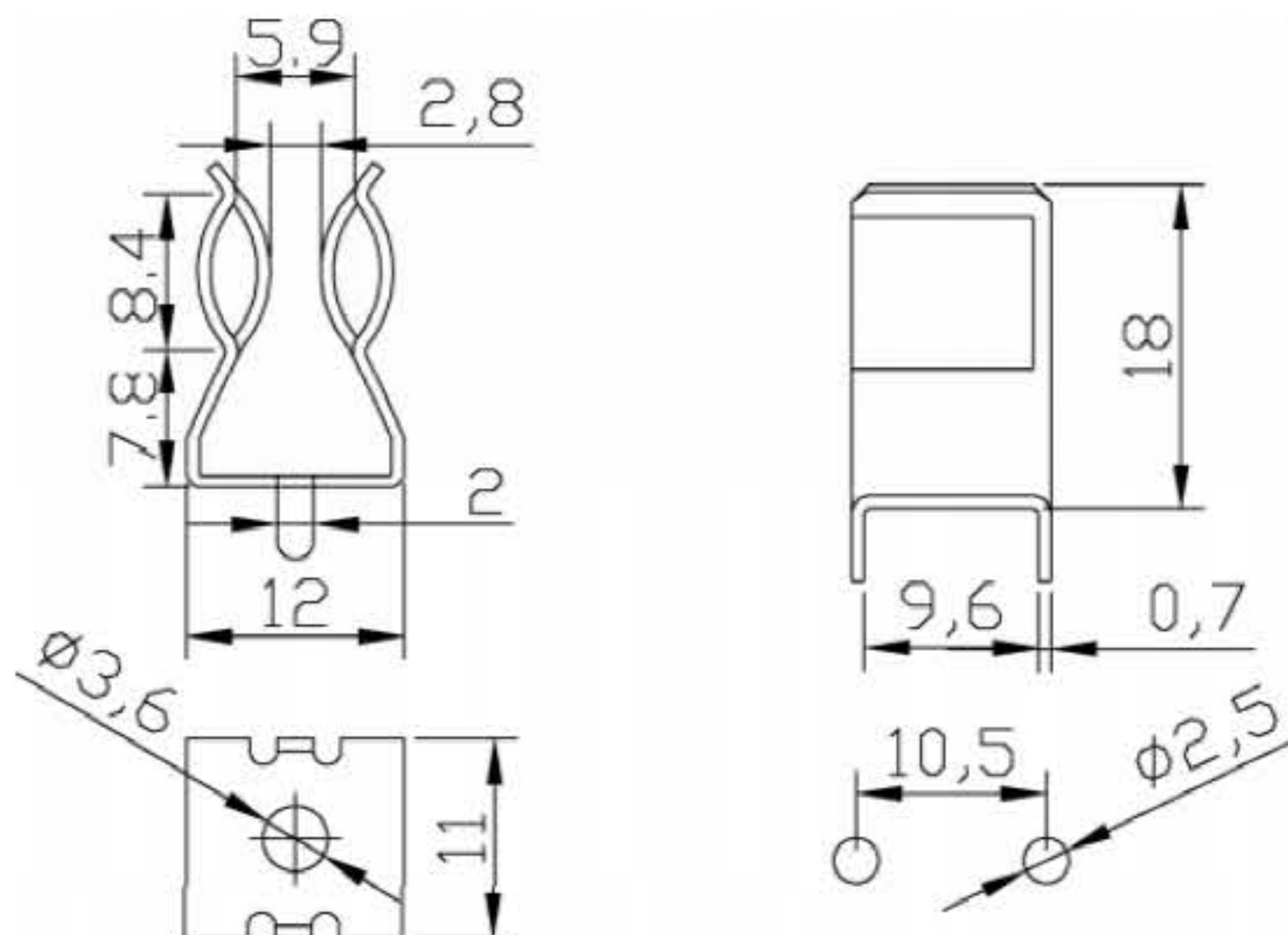
### ❖材质 Material

FC1038 Fuse clip made of brass, tinned or nickel plated, not easy to rust, wear and corrosion resistance, compliant with RoHS.

### ❖应用范围 Application

FC1038 fuse clip suitable for  $10 \times 38 \text{mm}$  cartridge fuse, mainly used for PCB of home appliances, PC, Remote control, automotive applications etc.

### ❖尺寸 Dimension (Unit:mm)



Note: Customized is available and contact our sales for further offer.

Version:V1 Date:2020/5/22